

TPMC861 4 Channel Isolated Serial Interface RS422 / RS485

Application Information

The TPMC861 is a standard single-width 32 bit PMC module with four channels of high performance RS422/485-HD/FD serial interface. Each of the four channels is isolated from the system and against each other by optocoupler and on board DC/DC converter per channel.

The serial channels are accessible through a DB25 connector mounted in the front panel and via P14 I/O. Each channel has a 128byte transmit FIFO and a 128byte receive FIFO to significantly reduce the overhead required to provide data to and get data from the transmitter and receivers. The FIFO trigger levels are programmable. For RS422 and RS485-FD a four wire interface (RX+, RX-, TX+, TX-) plus isolated ground (GND) per channel is supported. For RS485-HD a two wire interface (DX+, DX-) plus isolated ground (GND) per channel is supported. The baud rate is individually programmable up to 460.8Kbaud for each channel. The interrupts are supported.

All channels generate interrupts on PCI interrupt INTA. For fast interrupt source detection the TPMC861 provides a special interrupt status register. Each receiver input and transmitter output of all channels is protected against electrostatic discharge (ESD) up to +/- 15kV according to IEC 1000-4-2.

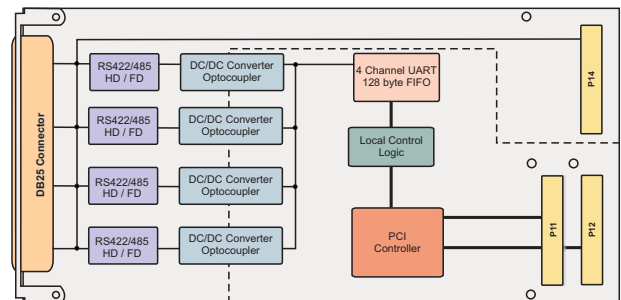


For First-Time-Buyers the engineering documentation TPMC861-ED is recommended. The engineering documentation includes TPMC861-DOC, schematics and data sheets of TPMC861.

Driver support (TPMC861-SW-xx) is available for different operating systems.

Technical Information

- Standard single-width 32 bit PMC module conforming to IEEE P1386.1
- PCI 2.1 compliant interface
- 4 channel RS422/485 serial interface
- Serial channels isolated from system and against each other by optocoupler and on board DC/DC converter per channel
- For RS422 and RS485-FD support of Rx/D, Tx/D and GND per channel
- For RS485-HD support of DX+, DX- and GND per channel
- Programmable baud rates up to 460.8Kbaud
- 128 byte transmit FIFO and 128 byte receive FIFO per channel
- ESD protected transceiver (up to +/- 15KV according to IEC 1000-4-2)
- Operating temperature -40°C to +85°C



Order Information

- TPMC861-10** 4 Channel Isolated Serial RS422 / RS485 Interface, front panel and P14 I/O
- TPMC861-DOC** User Documentation
- TPMC861-ED** Engineering Documentation, includes TPMC861-DOC
- TA303-10** Cable Kit for modules with DB25 female connector
- TPMC861-SW-12** OS-9 Software Support
- TPMC861-SW-32** pSOS Software Support
- TPMC861-SW-42** VxWorks Software Support
- TPMC861-SW-62** Windows NT 4.0 Software Support
- TPMC861-SW-65** Windows XP/2000/98 SE/ME Software Support
- TPMC861-SW-72** LynxOS Software Support
- TPMC861-SW-82** LiNux Software Support
- TPMC861-SW-92** QNX 4 Software Support
- TPMC861-SW-95** QNX 6 Software Support