

TIP865 4 Channel Serial Interface

Application Information

The TIP865 is an IndustryPack® compatible module with four channels of high performance multimode serial interface. Four different modules are available. The TIP865-10 offers four RS232 interfaces, the TIP865-11 provides four TTL interfaces, the TIP865-20 supports four RS422 interfaces and the TIP865-30 provides four RS485 interfaces.

The full modem control is available for each of the 4 serial interfaces on the TIP865-10 and -11 supporting RxD, TxD, RTS, CTS, DCD and clock. The TIP865-20 provides RxD, TxD and clock. The TIP865-30 supports a bidirectional RS485 bus.

The baud rate is individually programmable up to 2Mbaud. The TIP865-30 supports baud rates up to 4Mbaud. The TIP865 supports asynchronous and synchronous protocols.

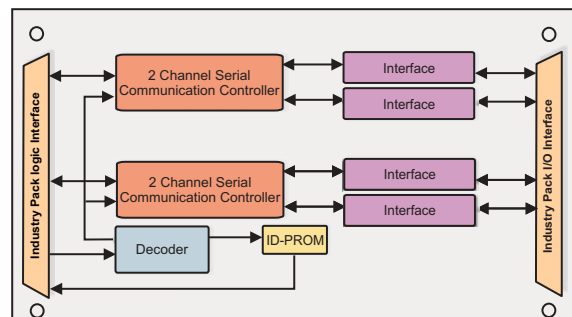


For First-Time-Buyers the engineering documentation TIP865-ED is recommended. The engineering documentation includes TIP865-DOC, schematics and data sheets.

Serial line driver software TIP865-SW-xx is available (support only asynchronous protocols).

Technical Information

- Interface according to IndustryPack specification
- Identification-PROM supports auto-configuration
- Single Size IndustryPack
- 4 Channels multimode serial interface
- Support of modem controls on TIP865-10 and -11: RxD, TxD, DTR, DCD, RTS, CTS, Clock
- Support of RxD+/-, TxD+/- and Clock on TIP865-20
- Programmable baud rates to 2Mbps for TIP865-10/11/20
- Programmable baud rates to 4Mbps for TIP865-30
- Asynchronous and synchronous protocols



Order Information

- | | |
|---------------------|--|
| TIP865-10 | 4 Channel Serial RS232 Interface |
| TIP865-11 | 4 Channel Serial TTL Interface |
| TIP865-20 | 4 Channel Serial RS422 Interface |
| TIP865-30 | 4 Channel Serial RS485 Interface |
| TIP865-DOC | User Documentation |
| TIP865-ED | Engineering Documentation, includes TIP865-DOC |
| TIP865-SW-12 | OS-9 Software Support |
| TIP865-SW-32 | pSOS Software Support |
| TIP865-SW-42 | VxWorks Software Support |
| TIP865-SW-62 | Windows NT 4.0 Software Support |
| TIP865-SW-72 | LynxOS Software Support |
| TIP865-SW-82 | LiNIX Software Support |
| TIP865-SW-92 | QNX 4 Software Support |
| TIP865-SW-95 | QNX 6 Software Support |