

## TIP600 16 Interrupt generating Digital Inputs

### Application Information

The TIP600 is an IndustryPack® compatible module and has 16 digital inputs galvanically isolated by optocoupler. The individual inputs are potential free in relation to each other. A high performance input circuit ensures a defined switching point and polarization protection against confusing the pole.

All inputs have an electronic debounce circuit with a freely programmable debounce time. All inputs can generate an interrupt. The signal edge handling is programmable. For systems with particularly fast reaction, each input can be assigned its own interrupt vector.

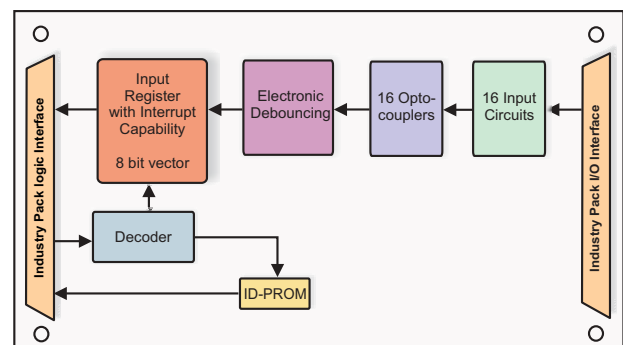


For First-Time-Buyers the engineering documentation TIP600-ED is recommended. The engineering documentation includes TIP600-DOC, schematics and data sheets.

The driver software TIP600-SW-xx provides functions to configure the TIP600, read the input status and connect software events to input state changes.

### Technical Information

- Interface according to IndustryPack specification
- Identification-PROM supports auto-configuration
- Single Size IndustryPack
- 16 interrupt generating digital inputs
- 24V signal voltage for inputs, other voltages on request
- Optocouplers for galvanic isolation of input to computer system
- All inputs isolated against each other
- All inputs protected against confusing the pole
- All inputs have an electronic debounce circuit, debounce time is freely programmable



### Order Information

- |                     |  |
|---------------------|--|
| <b>TIP600-10</b>    | 16 interrupt generating digital inputs         |
| <b>TIP600-DOC</b>   | User Documentation                             |
| <b>TIP600-ED</b>    | Engineering Documentation, includes TIP600-DOC |
| <b>TIP600-SW-12</b> | OS-9 Software Support                          |
| <b>TIP600-SW-32</b> | pSOS Software Support                          |
| <b>TIP600-SW-42</b> | VxWorks Software Support                       |
| <b>TIP600-SW-62</b> | Windows NT 4.0 Software Support                |
| <b>TIP600-SW-72</b> | LynxOS Software Support                        |
| <b>TIP600-SW-82</b> | LiNux Software Support                         |
| <b>TIP600-SW-92</b> | QNX 4 Software Support                         |
| <b>TIP600-SW-95</b> | QNX 6 Software Support                         |