

TIP150 1 or 2 Channel Synchro / Resolver-To-Digital-Converter

Application Information

The TIP150 is an IndustryPack® compatible module providing one or two channels of a tracking synchro / resolver-to-digital converter. The resolution programming allows selection of 10, 12, 14 or 16 bit conversion. This combines the high tracking rate of a 10 bit converter with the precision of a 16 bit converter.



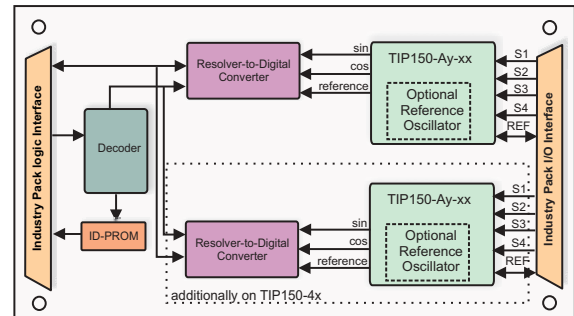
Two converter accuracies are available: TIP150-x0 with 4 arcmin +1LSB and TIP150-x1 with 2 arcmin +1LSB. The customer specific signal conditioning adapter (TIP150-Ay-xx) per channel provides an easy interface to the different types of synchro and resolvers. For highest accuracy the on board reference oscillator of the signal conditioning adapter TIP150-A2-xx and TIP150-A4-xx automatically compensates the phase error generated by the synchro / resolver.

For First-Time-Buyers the engineering documentation TIP150-ED is recommended. The engineering documentation includes TIP150-DOC, schematics and data sheets.

Driver software (TIP150-SW-xx) is available for different operating systems.

Technical Information

- Interface according to IndustryPack specification
- Identification-PROM supports auto-configuration
- Single Size IndustryPack
- One or two channels Tracking Synchro/Resolver-To-Digital-Converter
 - Programmable resolution 10, 12, 14 or 16 bits
 - Adjustable bandwidth
 - Converter accuracy 4 or 2 arcmin + 1LSB
 - Velocity output and built-in-test output
 - Individual input voltage for each channel by signal conditioning adapter
- Optional reference oscillator for each channel on signal conditioning adapter
 - Oscillator frequency factory selectable 2 - 20KHz
 - Oscillator amplitude 11.8Vrms maximum
 - Resolver phase error compensation



Order Information

- TIP150-30** One channel Tracking RDC, converter accuracy 4 arcmin + 1LSB
- TIP150-31** One channel Tracking RDC, converter accuracy 2 arcmin + 1LSB
- TIP150-40** Two channel Tracking RDC, converter accuracy 4 arcmin + 1LSB
- TIP150-41** Two channel Tracking RDC, converter accuracy 2 arcmin + 1LSB
- TIP150-A1-xx** Resolver Signal Conditioning Adapter
- TIP150-A2-xx** Resolver Signal Conditioning Adapter with reference oscillator
- TIP150-A3-xx** High Precision Synchro/Resolver Signal Conditioning Adapter
- TIP150-A4-xx** High Precision Synchro/Resolver Signal Conditioning Adapter with reference oscillator
- TIP150-DOC** User Documentation
- TIP150-ED** Engineering Documentation, includes TIP150-DOC
- TIP150-SW-12** OS-9 Software Support
- TIP150-SW-32** pSOS Software Support
- TIP150-SW-42** VxWorks Software Support
- TIP150-SW-62** Windows NT 4.0 Software Support
- TIP150-SW-72** LynxOS Software Support
- TIP150-SW-82** LINUX Software Support
- TIP150-SW-92** QNX 4 Software Support
- TIP150-SW-95** QNX 6 Software Support